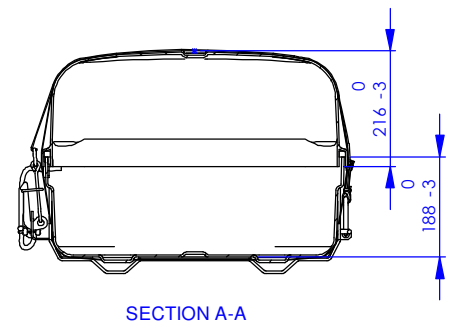
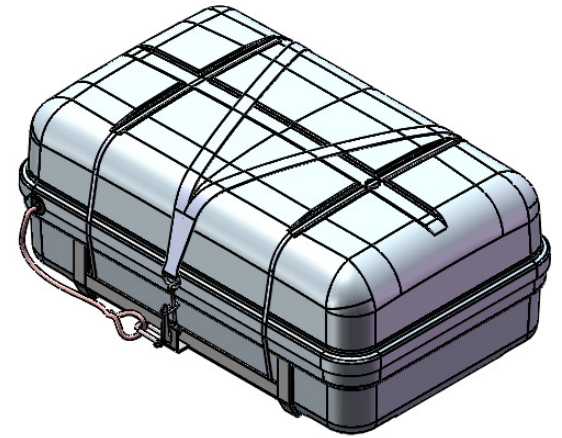
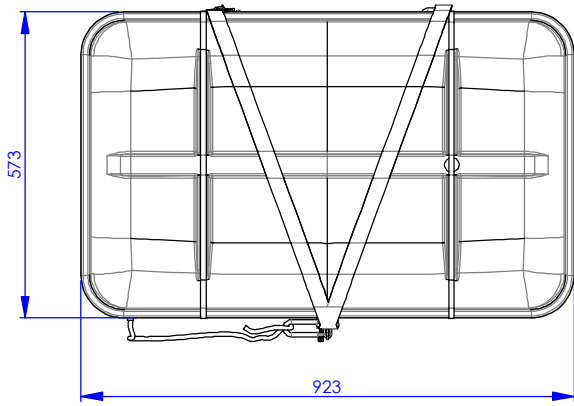
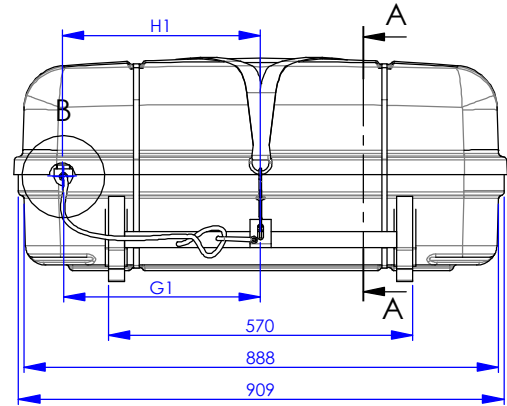
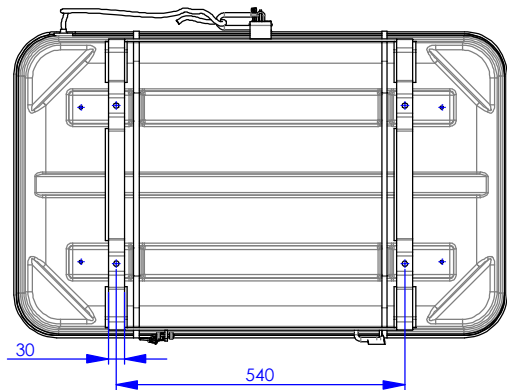


DETAIL B
SCALE 1 : 5

Slots measure from Center of Container follows W1.

Locattion	H1	G1
Dimension	371 ±2	371 ±2



1	Stainless steel cradle	1018246	300-2040	AISI 316	1021273
1	Aluminium cradle	1015298	300-1894	EN AW 6060	1014576
Qty.	Description	Part no.	Drawing no.	Material	Lashing arrangement

If the product is requested to be manufactured differently, this MUST be approved by VIKING LIFE-SAVING EQUIPMENT A/S and a specification of change must be filled in if the alteration is approved. Unless otherwise specified the product must always be clearly labelled with Viking part no., manufacturer ID and manufacturing year.

MATERIAL NO.:	Old DWG No.:	STATUS:	UNITS:	WEIGHT:	CHECK DATE/INIT:
-	-	-	mm/kg	25695,051	/
BASIC MATERIAL:	SURFACE TREATMENT:	SHEETSIZE:	SCALE:	SHEET NO.:	DRAWN DATE/INIT:
-	-	A3	1:10	1/1	/

<p>VIKING LIFE-SAVING EQUIPMENT A/S Sædding Ringvej 13, DK-6710 Esbjerg V Tel.: +45 7611 8100 Fax.: +45 7611 8101 E-mail: viking@viking-life.dk Web: www.VIKING-life.com</p>	PROJECTION TYPE	DESCRIPTION:
	<p>FIRST ANGLE PROJECTION GENERAL TOLERANCE: ISO 2768-1 M</p>	CONTAINER 016-0043 SALES SPECIFICATION

Copyright of VIKING LIFE-SAVING EQUIPMENT DENMARK whose property this document remains. No part thereof may be disclosed, copied, duplicated or in any other way made use of except with the approval of VIKING LIFE-SAVING EQUIPMENT DENMARK.	CAD NO.:	Drawing NO.:	REV NO.:
	14000653	16000632	00

Item is Unsolvable
Item Conflicts