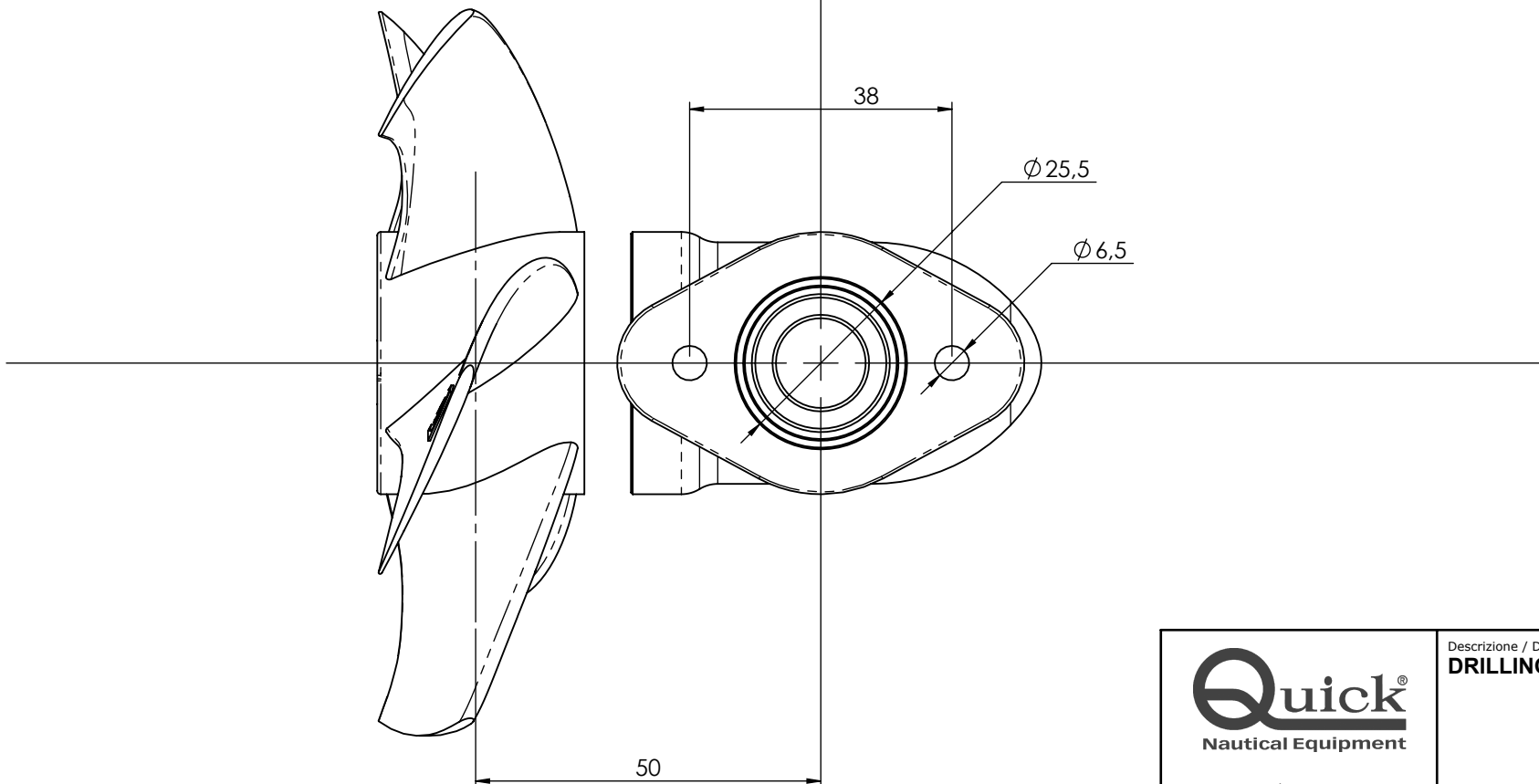



# BTQ 110/125



		Descrizione / Description	
		<b>DRILLING TEMPLATE</b>	
Via Piangipane 120/A - 48124 Piangipane (Ra) Tel. +39.0544.415061 - Fax +39.0544.415047 www.quickitaly.com E-mail: quick@quickitaly.com		Formato / Size <b>A4</b>	Data / Date 23/01/2015
		Scala / Scale <b>1:1</b>	U.M. / M.U. <b>mm</b>
This is an unpublished work the copyright in which rest in Quick S.r.l. All this document and its information is supplied without liability for error or party may be reproduced used or disclosed except as authorized by contract or permission.		Disegnato da / Drawn by <b>D.A.</b>	
		Approvato da / Checked by <b>L.G.</b>	
		Evitare di rilevare le quote dal disegno / avoid obtaining measures from the drawing	