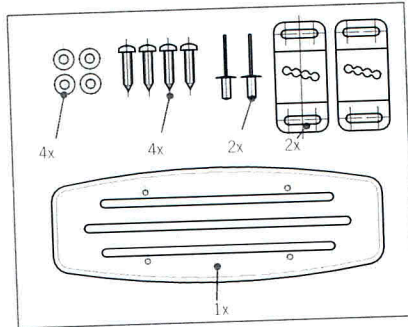
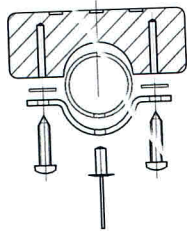


Teak step 60901-1
(Roca item no: 429449)



How to assembly:

1. Assembly both clamps by using the blind rivets.
If there are no holes underneath the tube, holes $\varnothing 4.0$ mm must be drilled with a distance of 86 mm from each other. There are four holes on the clamp which allows an adjustment possibility from 0-15°, in steps of 5°. Test your best angle before riveting.
2. Assembly the rubber washers between clamp and teak step.
3. Hold the Teak step in right position and tighten the wood screw firmly. NOTE! Don't use more power than necessary, only until the clamp reaches the rubber washer and doesn't deform it.

